



**NEW
STAINLESS
STEEL MODEL**

Features and benefits

An extremely versatile vertical capstan or general purpose electric winch for use as an anchor winch, pot hauler or davit winch.

The ANCHORMAX™ has an extremely high power to weight ratio. The compact, fully sealed gearbox is driven by a vertically mounted, permanent magnet motor. Intrusion below decks is minimised making the design ideal for boats from 5m (16ft) to 10m (32ft). Fitting to the boat is simplicity itself as no dismantling of the winch is required.

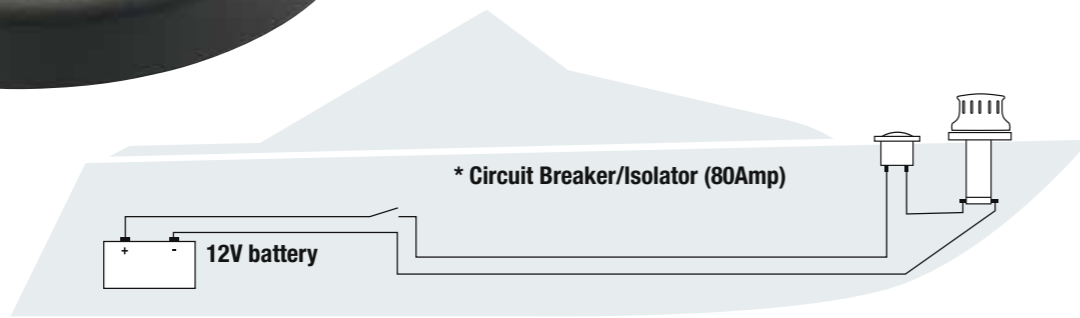
The ANCHORMAX™ gear housings are marine-grade alloy and the drum is stainless steel. It is supplied as a single direction (clockwise) unit, complete with deck switch, fastenings, template and fitting instructions.

The ANCHORMAX™ is not recommended for use to haul halyards. The ANCHORMAX™ is not recommended for use to haul chain.

ANCHORMAX™



All standard and optional control accessories can be found on pages 26-29.

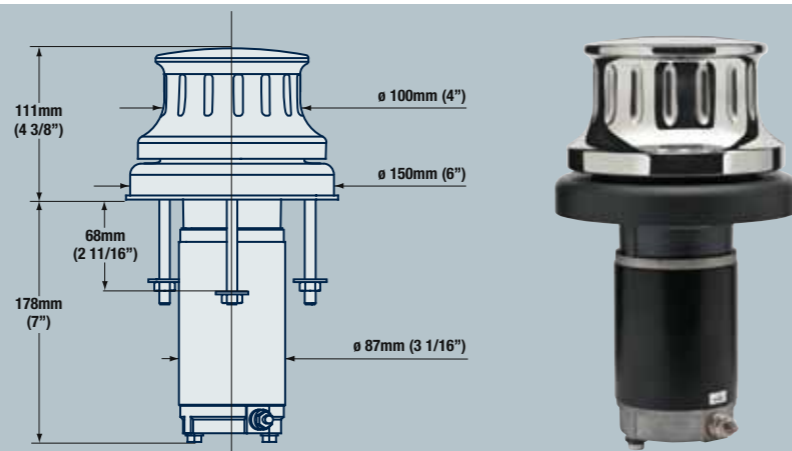


*Not supplied with but recommended

2 YEAR
Limited Warranty

ANCHORMAX SPECIFICATIONS

| | |
|--|--------------------------|
| Maximum Line Pull/Lift | 386kg (850lbs) |
| Speed @ nominal working load (80amps with 100kg/220lb load) | 24m/min (76' per min) |
| Voltage | 12V |
| Power | 500W |
| Weight | 8kg (17.6lbs) |
| Maximum Boat LOA | 10m (33') |
| Maximum Boat Weight | 4 tonnes |



Features and benefits

- Vertical design suits smaller powerboats or sailboats and can be utilised for anchor rodes, as a docking capstan on larger craft, or auxiliary line hauling from any direction.
- High quality, hard wearing stainless steel above deck components.
- Functional rope hauling from any direction using fluted, snag-free warping drum for positive control of all ropes.
- Simplified through deck installation by modular design and precise alignment of gearbox to the topworks.
- Alternative gearbox/motor positions accommodate virtually all installation situations.
- Compact, reliable gearbox, made of corrosion resistant materials.
- Anodized aluminium gearbox and spacer on VC500 and VC1000 models.
- Heavy duty, dual direction motors, designed for marine winches.
- Easily disassembled for servicing.
- Can be mounted horizontally for use as a pot hauler or davit winch.

STANDARD EQUIPMENT REQUIRED FOR SINGLE DIRECTION CONTROL

Circuit breaker/isolator panel (supplied with DC units only)
Foot Switch (supplied with DC units only)

OPTIONS

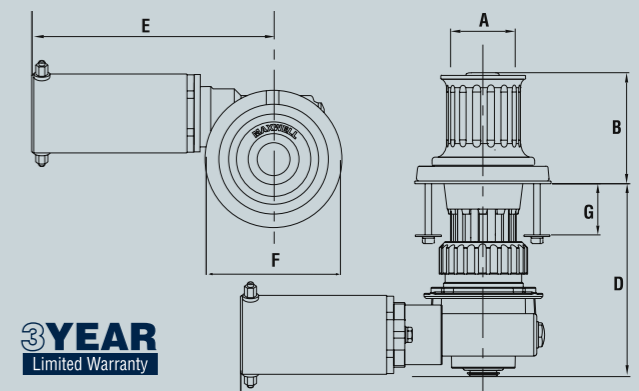
Extra deck clearance
Hydraulic motor*

All standard and optional control accessories can be found on pages 26-29.

SPECIFICATIONS

| Model | 500 | 1000 |
|--------------------------------|------------------------|-------------------------|
| Maximum Pull/Lift | 300kg 660lbs | 700kg 1540lbs |
| Static Hold | Not Valid Not Valid | Not Valid Not Valid |
| Line Speed (Normal Working) | 18m/min 60ft/min | 20m/min 65ft/min |
| Power Supply (DC) | 12 or 24V | 12 or 24V |
| Motor (Watts) | 600W | 1000W |
| Net Weight (Electric) | 10kg 22lbs | 18kg 40lbs |
| Hydraulic Pressure | *N/A *N/A | 100bar 1450psi |
| Hydraulic Flow | *N/A *N/A | 20l/min 5.3USgal/min |
| Net Weight - Hyd | *N/A *N/A | 11kg 24lbs |

The NEW stainless steel fluted capstan VC Series is designed for simple, low cost anchor recovery on smaller boats and rope hauling on larger vessels.



3 YEAR
Limited Warranty

DIMENSIONS

| Model | 500 | 1000 |
|--------------------------------|--------------------|-------------------|
| A | 65mm 2 9/16" | 80mm 3 1/8" |
| B | 106mm 4 3/16" | 122.5mm 4 5/6" |
| D (Std deck clearance) | 173mm 6 7/8" | 252mm 9 15/16" |
| E | 245mm 9 5/8" | 272mm 10 3/4" |
| F | 132.5mm 5 7/32" | 160mm 6 5/16" |
| G (Std deck clearance) OR** | 57mm 2 1/4" | 100mm 4" |
| G (Extra deck clearance) ^ | N/A N/A | 150mm 6" |

**For VC1000 a shorter deck clearance version is also available at 50mm (2")
^ A deck clearance increase will also increase the 'D' measurement by the same increment.